



6GHZ 500HM RATED TO 0.5W SMA MALE

TERMINATION

P/NO.STI11-0001



SPECIFICATION

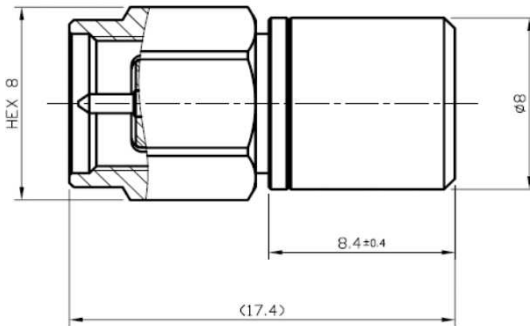
| | |
|--------------|-------------|
| Frequency | DC-6GHz |
| VSWR: | 1.3:1(Max.) |
| Impedance: | 50ohm |
| Power: | 0.5W |
| Durability: | 500 Cycles |
| Temperature: | -40~85℃ |

MATERIAL LIST

| Part | Material | Plated |
|----------------------|-----------------|--------|
| Shell | Brass | Gold |
| Gasket | Silicone | Red |
| Inner Retaining Ring | Stainless Steel | |
| Body | Brass | Gold |
| Insulator | Teflon | |
| Center Pin | Brass | Gold |
| Retaining Holder | Brass | Gold |

OUTLINE DRAWING

Unit:mm



TESTING DATA (100% S-PARAMETER TESTED)

