



SOLVANG TECHNOLOY INC.

www.solvangtech.com

Email : sales@solvangtech.com

40GHZ 2.92MM MALE TO 2.92MM FEMALE

ADAPTER

P/NO.STI01-0005



SPECIFICATION

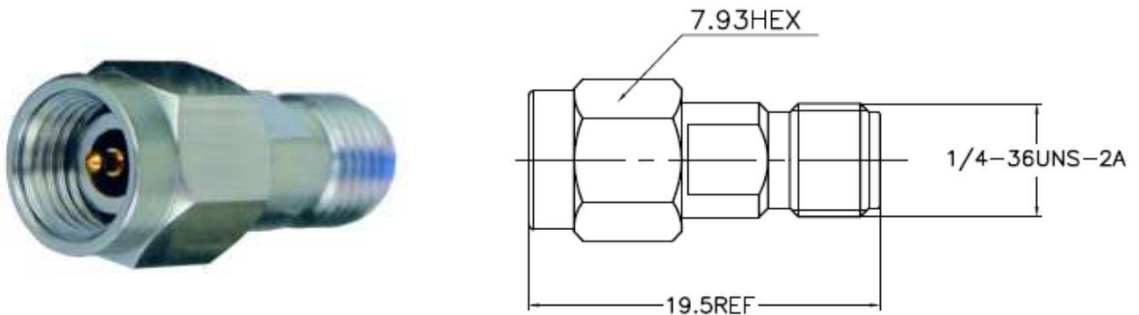
Frequency	DC-40GHz
VSWR:	1.25:1(Max.)
Impedance:	50ohm
Durability:	500 Cycles
Temperature:	-55~165°C

MATERIAL LIST

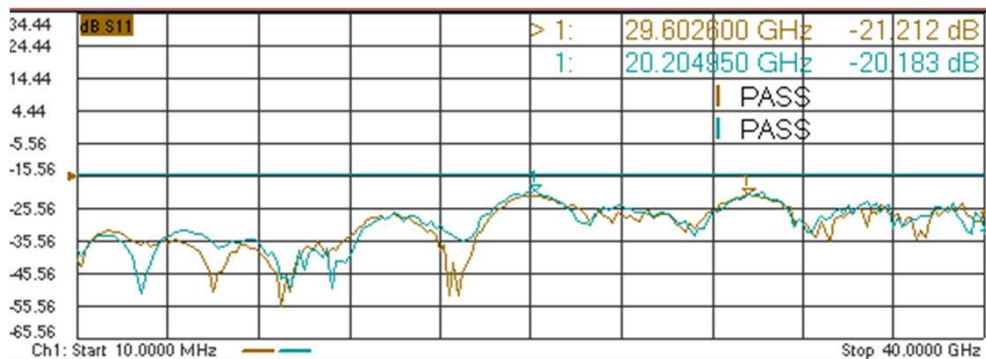
Part	Material	Plated
Body	Stainless Steel	
Center Pin	Beryllium Copper	Gold

OUTLINE DRAWING

Unit:mm



TESTING DATA (100% S-PARAMETER TESTED)



Any more request, please contact sales@solvangtech.com. Thank you ~