

6GHZ MCX JACK TO SMA FEMALE

ADAPTER

P/NO.STI01-0126



SPECIFICATION

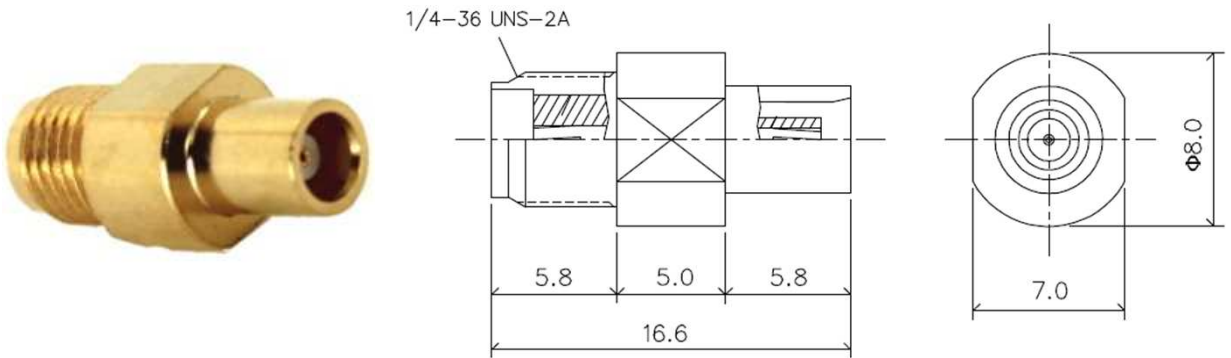
Frequency	DC-6GHz
VSWR:	1.2:1(Max.)
Impedance:	50Ohm
Durability:	500 Cycles
Temperature:	-65~155℃

MATERIAL LIST

Part	Material	Plated
Body	Brass	Gold
Insulator	Teflon	
Center Pin	Beryllium Copper	Gold
Insulator	Teflon	
Body	Brass	Gold

OUTLINE DRAWING

Unit:mm



TESTING DATA (100% S-PARAMETER TESTED)

