



**3GHZ F FEMALE TO PAL PLUG**

**75OHM ADAPTER**

**P/NO.STI01-0131**



**SPECIFICATION**

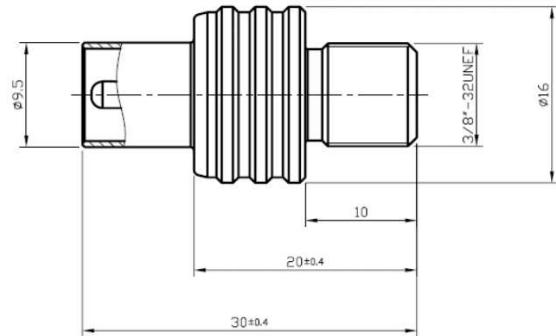
|              |             |
|--------------|-------------|
| Frequency    | DC~3GHz     |
| VSWR:        | 1.3:1(Max.) |
| Impedance:   | 75Ohm       |
| Durability:  | 500 Cycles  |
| Temperature: | -40~85℃     |

**MATERIAL LIST**

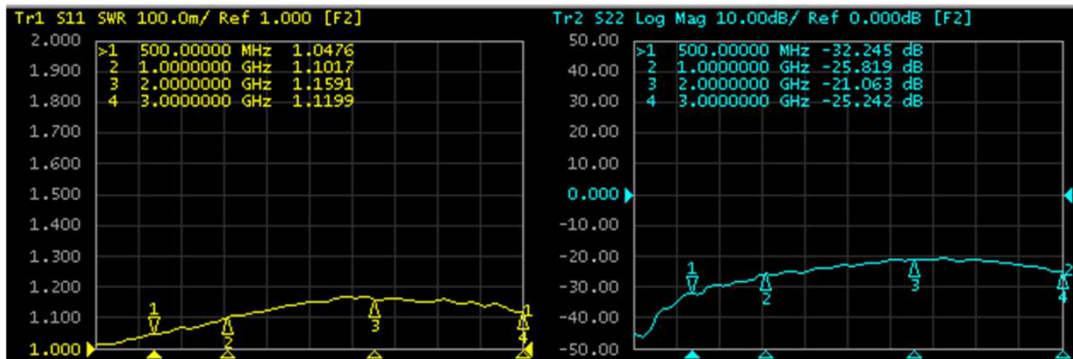
|                |                  |        |
|----------------|------------------|--------|
| Part           | Material         | Plated |
| Body           | Brass            | Nickel |
| Center Contact | Beryllium Copper | Gold   |
| Insulator      | Teflon           |        |
| Body           | Brass            | Nickel |
| Center Pin     | Brass            | Gold   |
| Insulator      | Teflon           |        |

**OUTLINE DRAWING**

Unit:mm



**TESTING DATA ( 100% S-PARAMETER TESTED)**



Any more request, please contact sales@solvangtech.com. Thank you ~