



3GHZ F FEMALE TO PAL JACK

75OHM ADAPTER

P/NO.STI01-0135



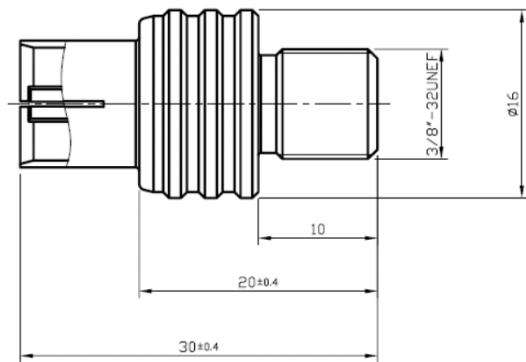
SPECIFICATION

Frequency	DC~3GHz
VSWR:	1.3:1(Max.)
Impedance:	75Ohm
Durability:	500 Cycles
Temperature:	-40~85°C

MATERIAL LIST

Part	Material	Plated
Body	Brass	Nickel
Center Contact	Beryllium Copper	Gold
Insulator	Teflon	
Body	Brass	Nickel
Center Pin	Brass	Gold
Insulator	Teflon	

OUTLINE DRAWING



TESTING DATA (100% S-PARAMETER TESTED)

