



**3.5GHZ N FEMALE TO TNC MALE
ADAPTER
P/NO.STI01-0142**



SPECIFICATION

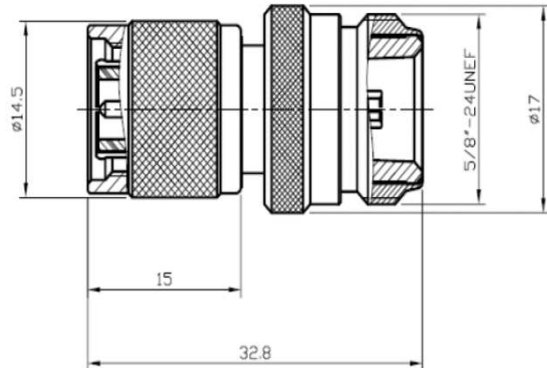
Frequency	DC-3.5GHz
VSWR:	1.3:1(Max.)
Impedance:	50Ohm
Durability:	500 Cycles
Temperature:	-40~85℃

MATERIAL LIST

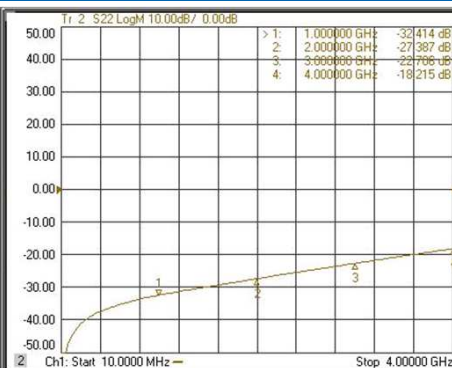
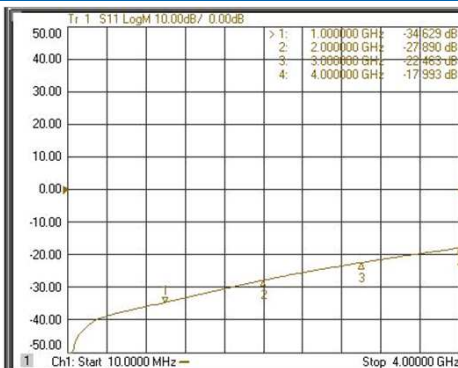
Part	Material	Plated
Body	Brass	Nickel
Center Pin	Phosphor Bronze	Gold
Insulator	Teflon	
Body	Brass	Nickel
Insulator	Teflon	
Shell	Brass	Nickel

OUTLINE DRAWING

Unit:mm



TESTING DATA (100% S-PARAMETER TESTED)



Any more request, please contact sales@solvangtech.com. Thank you ~