



3GHZ F MALE TO F FEMALE

75OHM ADAPTER

P/NO.STI01-0145



SPECIFICATION

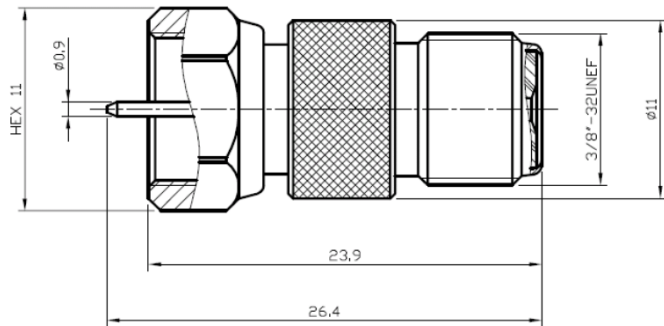
Frequency	DC-3GHz
VSWR:	1.3:1(Max.)
Impedance:	75Ohm
Durability:	500 Cycles
Temperature:	-40~85℃

MATERIAL LIST

Part	Material	Plated
Body	Brass	Nickel
Center Contact	Beryllium Copper	Gold
Center Pin	Brass	Gold
Insulator	Teflon	
Shell	Brass	Nickel

OUTLINE DRAWING

Unit:mm



TESTING DATA (100% S-PARAMETER TESTED)



Any more request, please contact sales@solvangtech.com. Thank you ~