



**SOLVANG TECHNOLOGY INC.**

www.solvangtech.com

Email : sales@solvangtech.com

## 4GHZ 50Ω BNC FEMALE TO N MALE

### ADAPTER

**P/NO.STI01-0197**



#### SPECIFICATION

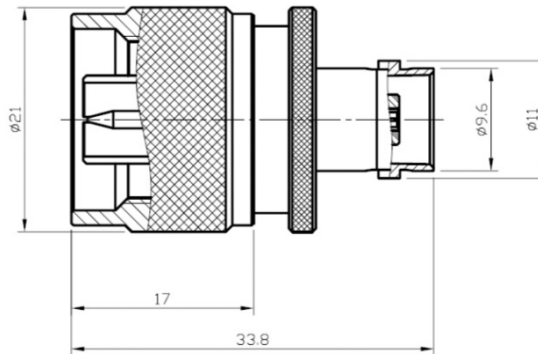
Frequency	DC-4GHz
VSWR:	1.5:1(Max.)
Impedance:	50Ohm
Durability:	500 Cycles
Temperature:	40~85℃

#### MATERIAL LIST

Part	Material	Plated
Body	Brass	Nickel
Center Pin	Phosphor Bronze	Gold
Insulator	Teflon	
Shell	Brass	Nickel
Inner Retaining Ring	Brass	
Gasket	Silicone	
Retaining Holder	Brass	Nickel

#### OUTLINE DRAWING

Unit:mm



Any more request, please contact sales@solvangtech.com. Thank you ~