

# 10GHZ REVERSE POLARITY SMA MALE TO REVERSE POLARITY SMA MALE ADAPTER P/NO.STI01-0228



### SPECIFICATION

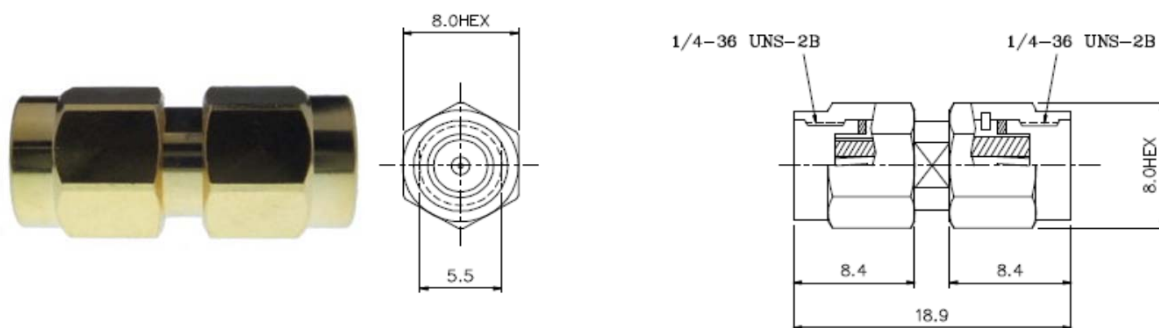
Frequency	DC-10GHz
VSWR:	1.3:1(Max.)
Insertion Loss:	0.1dB(Max.)
Impedance:	50Ohm
Durability:	500 Cycles
Temperature:	-65~155°C

### MATERIAL LIST

Part	Material	Plated
Body	Brass	Gold
Center Pin	Brass	Gold
Insulator	PTFE	
C-ring	Beryllium Copper	
Gasket	Silicon	
Shell	Brass	Gold

### OUTLINE DRAWING

Tolerance: X=±0.2 X.X=±0.1 X.XX=±0.05 Unit:mm



### TESTING DATA ( 100% S-PARAMETER TESTED)

