



**SOLVANG TECHNOLOGY INC.**

www.solvangtech.com

Email : sales@solvangtech.com

## 3GHZ FIXED ATTENUATOR

### SMA MALE TO SMA FEMALE RATED TO 1W

**P/NO.STI02-7999-XX**



#### SPECIFICATION

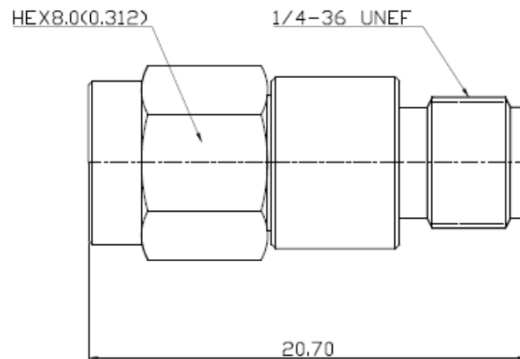
Frequency	DC-3GHz
Attenuation Value:	1,3,4,5,6,10,20,30dB
Attenuation Accuracy:	1-10dB:± 0.5dB 20dB:± 0.7dB 30dB:± 1.5dB
VSWR:	1.15:1(Max.)
Power :	1W Avg.@25°C 100W Peak
Impedance:	50Ohm
Durability:	500 Cycles
Operating Temp.:	-65~125°C

#### MATERIAL LIST

Part	Material	Plated
Body	Brass	Gold
Center Conductor		
Male	Brass	Gold
Female	Beryllium Copper	Gold
Insulator	PTFE	
Coupling Nut	Brass	Gold
C-Ring	Beryllium Copper	Nickel
Gasket	Silicon Rubber	

#### OUTLING DRAWING

Unit:mm(inch)



Any more request, please contact sales@solvangtech.com. Thank you ~