



SOLVANG TECHNOLOGY INC.

www.solvangtech.com

Email : sales@solvangtech.com

12.4GHZ SMA FEMALE CONNECTOR
4HOLE FLANGE SOLDER CUP TERMINAL
P/NO.STI06-0005



SPECIFICATION

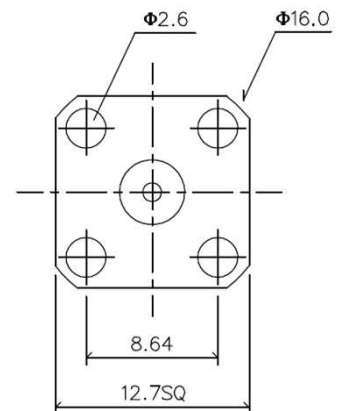
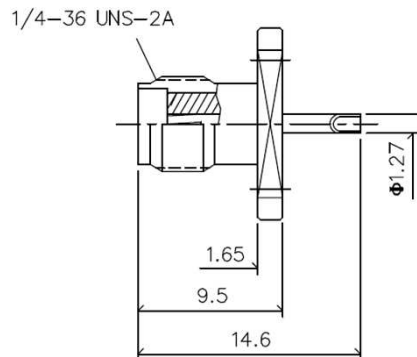
| | |
|--------------|------------|
| Frequency | DC-12.4GHz |
| Impedance: | 50Ohm |
| Durability: | 500 Cycles |
| Temperature: | -65~155℃ |
| Connection: | SMA Female |

MATERIAL LIST

| | | |
|------------|------------------|--------|
| Part | Material | Plated |
| Body | Brass | Gold |
| Insulator | Teflon | |
| Center Pin | Beryllium Copper | Gold |

OUTLINE DRAWING

Unit:mm



Any more request, please contact sales@solvangtech.com. Thank you ~