



**SOLVANG TECHNOLOY INC.**

www.solvangtech.com

Email : sales@solvangtech.com

## 6GHZ SMA FEMALE CONNECTOR

### EDGE CARD MOUNT

**P/NO.ST106-0008**



#### SPECIFICATION

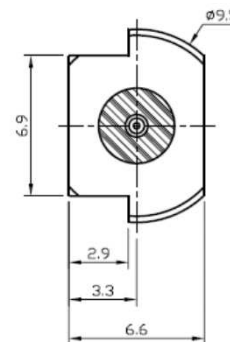
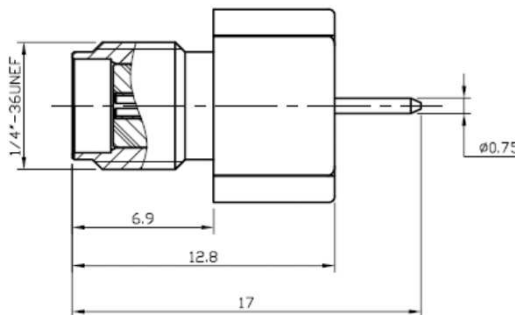
Frequency	DC-6GHz
Impedance:	50Ohm
Durability:	500 Cycles
Temperature:	-40~85℃
Connection:	SMA Female

#### MATERIAL LIST

Part	Material	Plated
Body	Brass	Gold
Insulator	Teflon	
Center Pin	Phosphor Bronze	Gold

#### OUTLINE DRAWING

Unit:mm



Any more request, please contact sales@solvangtech.com. Thank you ~