



2-8GHZ 8WAY SMA POWER DIVIDER

RATED TO 30W

P/NO.STI08-0032



SPECIFICATION

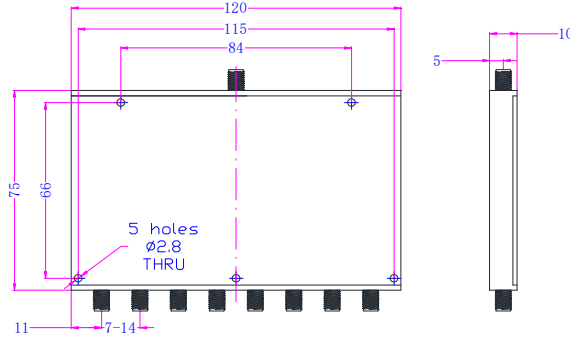
Frequency	2-8GHz
Isolation:	18dB(Min.)
Insertion Loss:	1.5dB(Max.)(excluding Theoretical Loss:9.0dB)
VSWR:	Input:15:1(Max.) Output:1.3:1(Max.)
Power :	Forward:30W/Reverse:2W
Amplitude Unbalance:	±0.5dB(Max.)
Phase Unbalance:	±5°(Max.)
Impedance:	50Ohm
Durability:	500 Cycles
Operating Temp.:	-35~75°C

MATERIAL LIST

Part	Material	Plated
Center Conductor	Beryllium Copper	Gold
SMA Body	Stainless Steel	

OUTLING DRAWING

Unit:mm(inch)



TESTING DATA (100% S-PARAMETER TESTED)

