

2-8GHZ 4WAY SMA POWER DIVIDER

RATED TO 20W

P/NO.STI08-0039



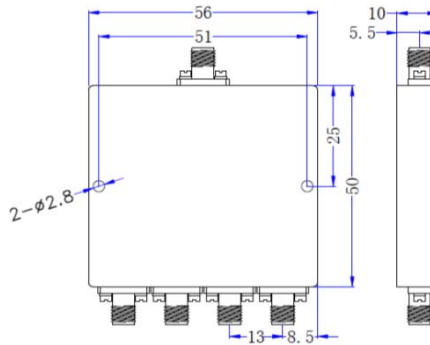
SPECIFICATION

| | |
|----------------------|---|
| Frequency | 2-8GHz |
| Isolation: | 20dB(Min.) |
| Insertion Loss: | 1.0dB(Max.)(excluding Theoretical Loss:6.0dB) |
| VSWR: | Input:1.4:1(Max.) Output:1.3:1(Max.) |
| Power : | Forward:20W/Reverse:2W |
| Amplitude Unbalance: | ±0.4dB(Max.) |
| Phase Unbalance: | ±4°(Max.) |
| Impedance: | 50Ohm |
| Durability: | 500 Cycles |
| Operating Temp.: | -40~80°C |

MATERIAL LIST

| | | |
|----------------|------------------|--------|
| Part | Material | Plated |
| Connector Body | Brass | Nickel |
| Center Pin | Beryllium Copper | Gold |

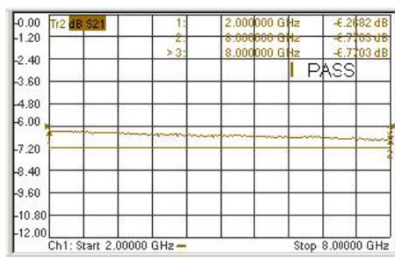
OUTLINE DRAWING



Unit:mm (Tolerance:±0.3)

TESTING DATA (100% S-PARAMETER TESTED)

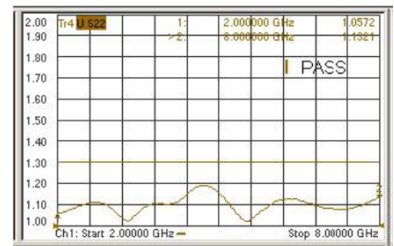
Insertion Loss



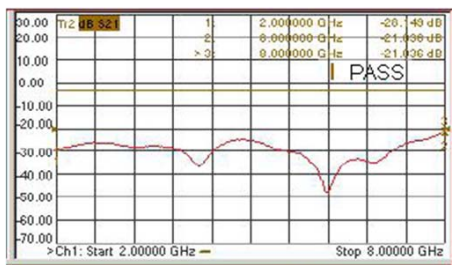
Input VSWR



Output VSWR



Isolation



Phase Unbalance/Amplitude Unbalance

