

40GHZ 500HM RATED TO 2W 2.92MM MALE

TERMINATION P/NO.STI11-0019



SPECIFICATION

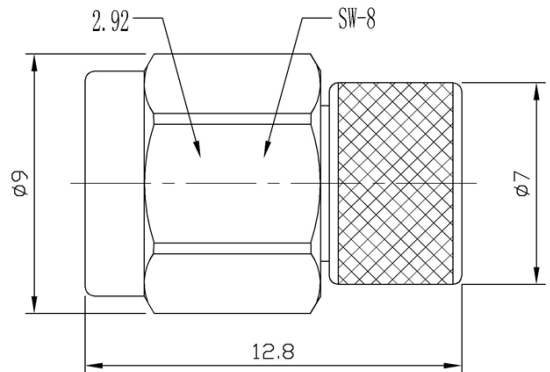
Frequency	DC-40GHz
VSWR	1.2:1(Max.)
Impedance:	500hm
Power:	Avg.2W @25℃ (Derated Linearly to 0.5Watts @ 125℃) Peak:125W (5 Usec Pulse, 1% Duty Cycle)
Durability:	500 Cycles
Temperature:	-55~125℃

MATERIAL LIST

Part	Material	Plated
Housing	Stainless Steel	
Center Conductor	Brass	Gold
Insulator	PTFE	

OUTLINE DRAWING

Unit:mm



TESTING DATA (100% S-PARAMETER TESTED)

