

18GHZ 500HM RATED TO 2W SMP FEMALE

**TERMINATION
 P/NO.STI11-0023**



SPECIFICATION

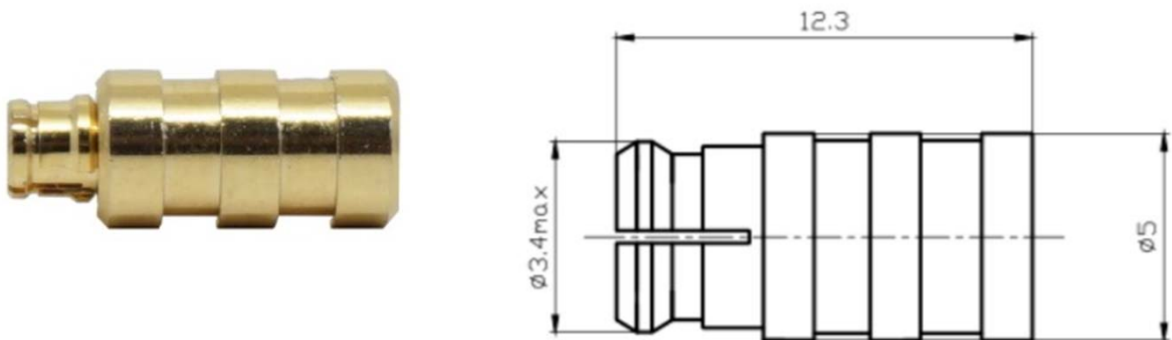
Frequency DC-18GHz
 VSWR 1.2:1(Max.)
 Impedance: 50Ohm
 Power: Avg.2W @25°C
 (Derated Linearly to 0.5Watts @ 125°C)
 Peak:20W
 (5 μsec Pulse, 1% Duty Cycle)
 Durability: 500 Cycles
 Temperature: -55~125°C

MATERIAL LIST

Part	Material	Plated
Housing	Brass	Gold
Connector	Beryllium Copper	Gold
Center Conductor	Beryllium Copper	Gold
Insulator	PTFE	

OUTLINE DRAWING

Unit:mm



TESTING DATA (100% S-PARAMETER TESTED)

