



SOLVANG TECHNOLOGY INC.

www.solvangtech.com

Email : sales@solvangtech.com

40GHZ SP4T 2.92MM 24VDC

NORMALLY OPEN TTL 15PIN D CONNECTOR SWITCH

P/NO.STI12-0010



SPECIFICATION

Frequency	DC-40GHz
Isolation	DC-6GHz:70dB(Min.) 6-18GHz:60dB(Min.) 18-26.5GHz:55dB(Min.) 26.5-40GHz:50dB(Min.)
Insertion Loss	DC6GHz:0.3dB(Max.) 6-12GHz:0.4dB(Max.) 12-18GHz:0.5dB(Max.) 18-26.5GHz:0.7dB(Max.) 26.5-32GHz:0.8dB(Max.) 32-40GHz:1.0dB(Max.)
VSWR	DC-6GHz:1.3:1(Max.) 6-12GHz:1.4:1(Max.) 12-18GHz:1.5:1(Max.) 18-26.5GHz:1.7:1(Max.) 26.5-32GHz:1.9:1(Max.) 32-40GHz:2.0:1(Max.)
Operating Voltage	DC24V/150mA
Life	1,000,000 Cycles (Min.)
Switching Time	15ms (Max.)
Relative Humidity	5~85%
Vibration Operating	10G RMS@20~2000MHz
Mechanical Shock(Non-operating)	50G,1/2 Sine, 11 msec
Actuation	Normally Open
RF Connection	2.92mm Female
Impedance	50Ohm
Operating Temp.	-25~+ 65°C

MATERIAL LIST

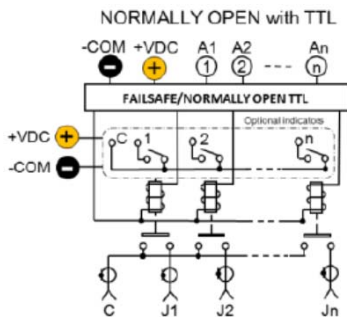
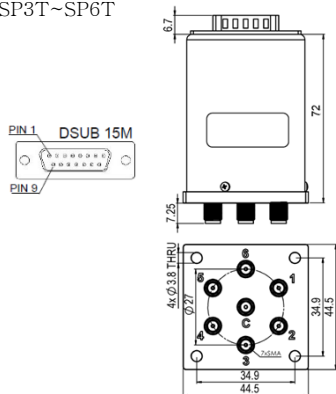
Part	Material	Plated
Connector Body	Brass	Nickel



OUTLINE DRAWING

SP3T~SP6T

Unit:mm(Tolerance:±0.5mm)

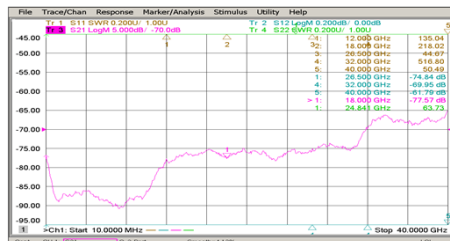
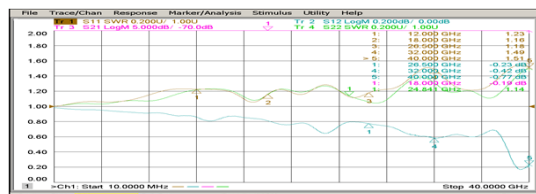


NORMALLY OPEN TTL		
Pin No.	PINOUT	
n=1-6	An (Jn-COM)	
7	COM(-)	
8	1 (IND. J1-C)	
9	2 (IND. J2-C)	
10	3 (IND. J3-C)	
11	4 (IND. J4-C)	
12	5 (IND. J5-C)	
13	6 (IND. J6-C)	
14	COM_1	
15	+VDC	

PIN 8-14: For optional INDICATORS only.

Pin 1-6: The corresponding control signal inputs.

TESTING DATA (100% S-PARAMETER TESTED)



Any more request, please contact sales@solvangtech.com. Thank you ~