



SOLVANG TECHNOLOY INC.

www.solvangtech.com

Email : sales@solvangtech.com

2402-2482MHZ BANDPASS FILTER WITH N FEMALE CONNECTORS P/NO.STI15-9760



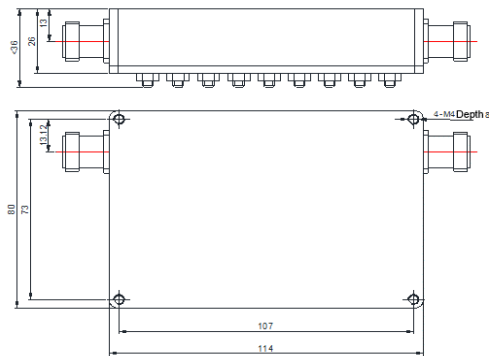
SPECIFICATION

Pass Band Frequency	2402-2482MHz
Notch Band	700-2385MHz
	2496-2700MHz
Notch Depth	80dB min.
Insertion Loss	1.5dB max.
Return Loss	18dB min.
PIM	≤-140dBc@2*10W
Power Handling	10W
Impedance	50 Ohm
Operating Temperature	0~+ 55°C
Connector Type	N Female

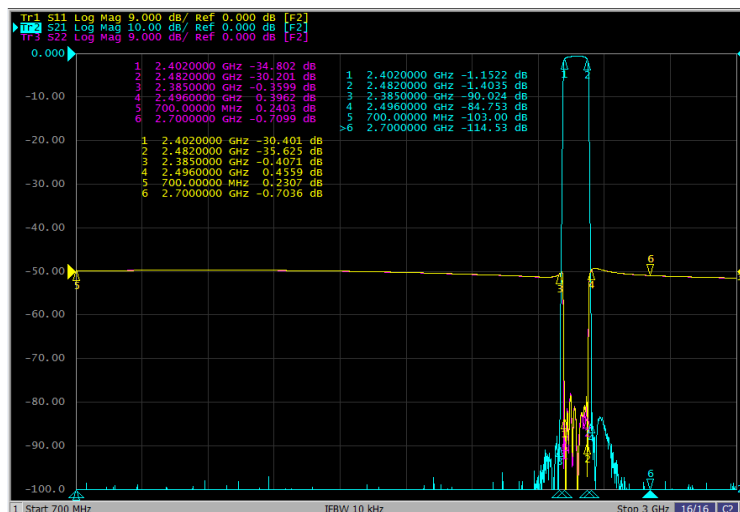
MATERIAL LIST

Part	Material	Plated
Housing	Aluminum	
Connector Body	Barss	Nickel
Connector Contact	Barss	Gold

OUTLINE DRAWING



TESTING DATA (100% S-PARAMETER TESTED)



Any more request, please contact sales@solvangtech.com. Thank you ~