



**SOLVANG TECHNOLOGY INC.**

www.solvangtech.com

Email : sales@solvangtech.com

**2-6GHZ I.S.20DB 90° HYBRIDS SMA**

**RATED TO 50W**

**P/NO.STI19-0001**



**SPECIFICATION**

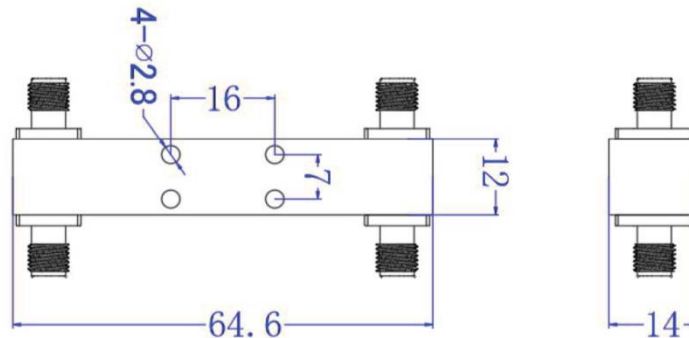
Frequency	2-6GHz
Isolation:	20dB(Min.)
Insertion Loss:	1.5dB(Max.)
VSWR:	1.4:1(Max.)
Power :	50W
Amplitude Unbalance:	±0.8dB(Max.)
Phase Unbalance:	±5°(Max.)
Impedance:	50ohm
Durability:	500 Cycles
Operating Temp.:	-40~70°C

**MATERIAL LIST**

Part	Material	Plated
------	----------	--------

**OUTLING DRAWING**

Unit:mm



Any more request, please contact sales@solvangtech.com. Thank you ~