



0.5-6GHZ GAIN: 11DBI

HORN ANTENNA/SMA FEMALE

P/NO.STI21-0002



SPECIFICATION

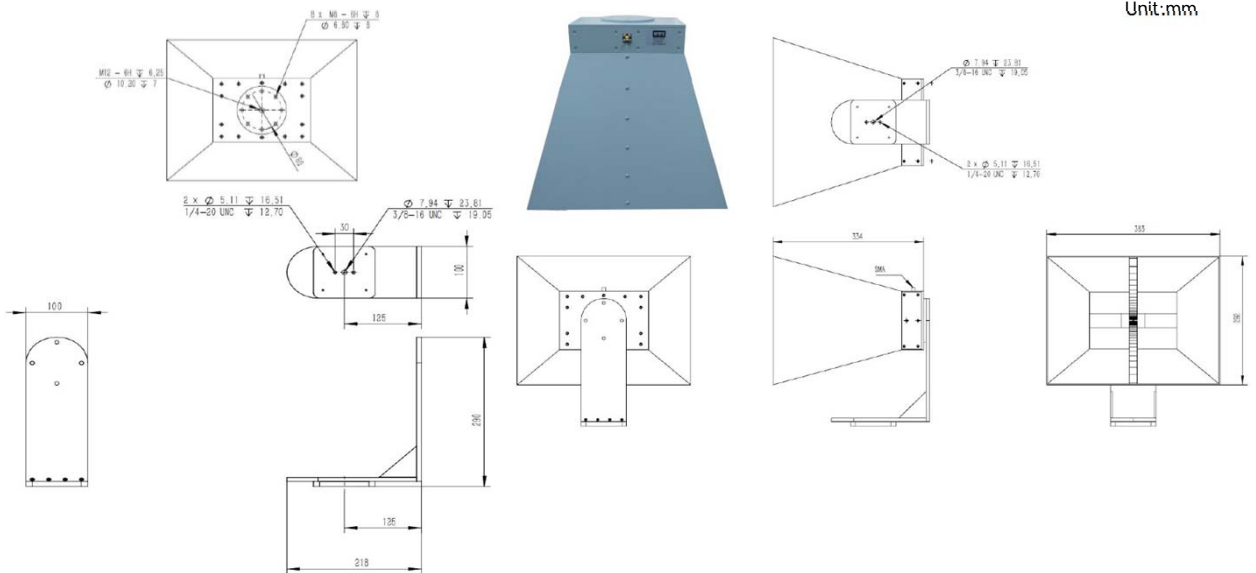
Frequency	0.5-6GHz
Gain:	11dBi(Typ.)
VSWR:	3.0:1(Max.)@0.5-2GHz 2.0:1(Max.)@2-6GHz
Isolation:	25dB(Typ.)
Coaxial Connection:	SMA Female
Impedance:	50Ohm
Durability:	500 Cycles

MATERIAL LIST

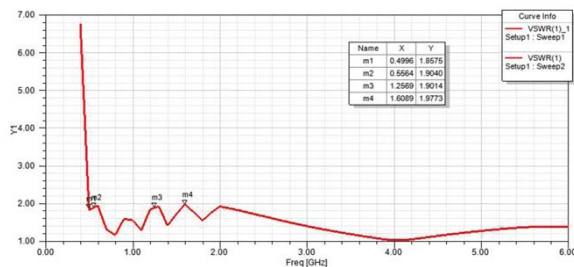
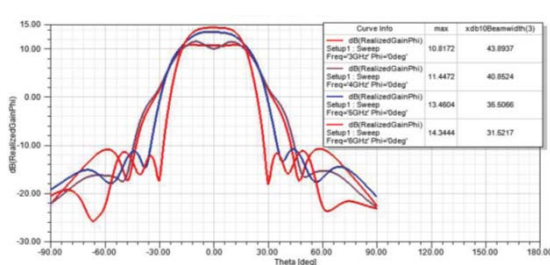
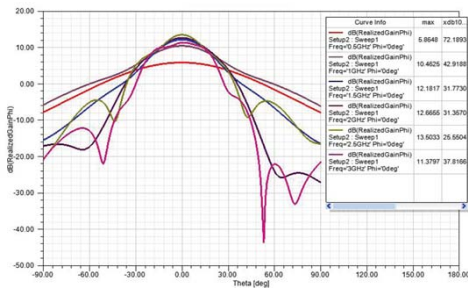
Part	Material	Plated
------	----------	--------

OUTLING DRAWING

Unit:mm



TESTING DATA (100% S-PARAMETER TESTED)



Any more request, please contact sales@solvangtech.com. Thank you ~